

SERIES WATER TREATMENT CONTROL VALVE

2022

EDITION FOR
SNOWATE CATALOG

SnOWate

Hengshui Snowate Environmental Technology Co., Ltd.



SD 系列三陶瓷阀片手动阀

Series three ceramics valve plate manual valve.

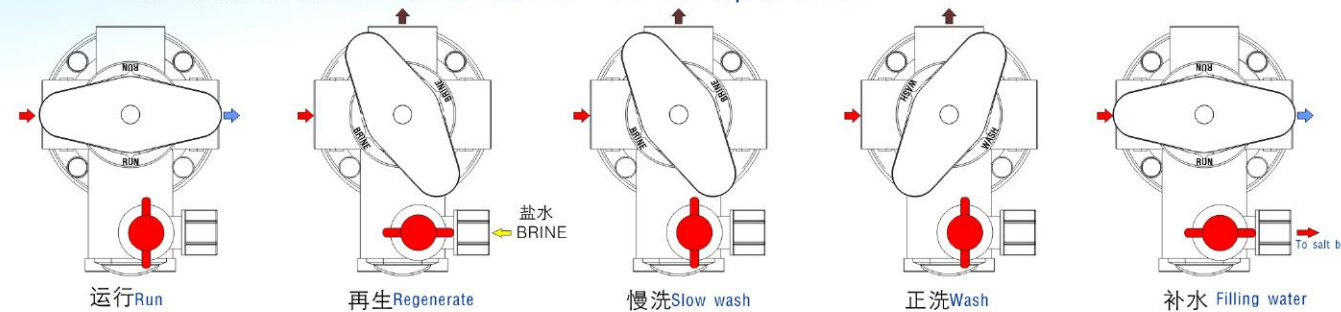
洁源阀®



“一动二静”三阀片多路阀，采用一个动片两个静片双面陶瓷密封方式的平面多路阀，实现水流“直通”不走弯，阀体通水量大、体积小、结构简单；目前已获得专利：2016205325767。“一动二静”双静片平面多路阀将代表水处理控制阀领域的另一开端，服务于业界。

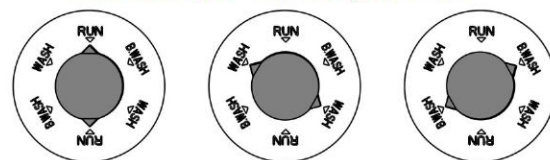
"One Dynamic and Two Static" Double Static Ceramics Plates Multi-port Valve is a kind of planar multi-port valve, which adopts double face ceramic sealing method with a dynamic valve core and two static ceramic plates. The water flow can be implemented "pass-through" without any detours. The valve body inside flow channel structure was simplified. The water flow tracts structure in valve body were simplified, which makes the valve body flow bigger several times than those of other same geometric size valve body. Or compare to the valve with same water yield, the geometry size will smaller much. At present, this technology has been declared national patent application number (Patent no. 2016205325767).

SD-R软化阀操作流程 Manul soften valve operation



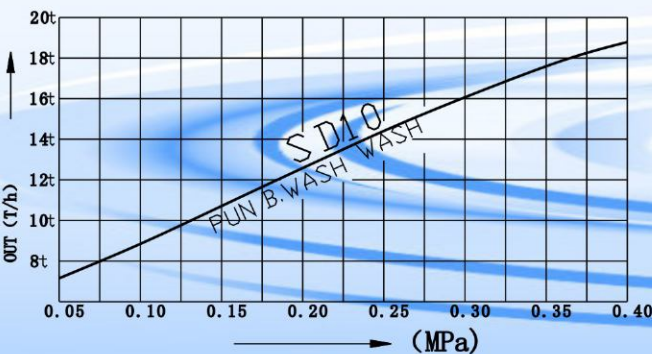
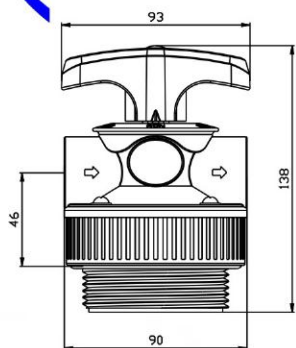
SD 过滤阀操作流程

Manul Filter valve operation



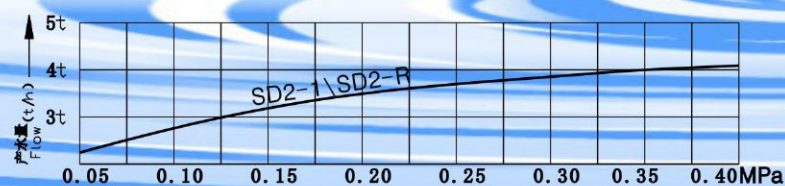
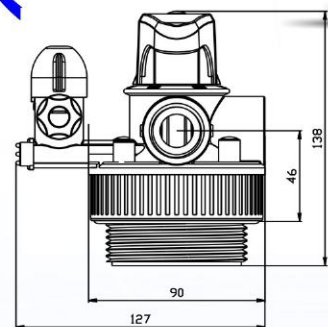
SD2-1

0.5~3t/h 过滤阀
罐口(Base):2.5"-8NSPM
进出口(In & Out):3/4"
中心管(Center pipe):26.7mmOD



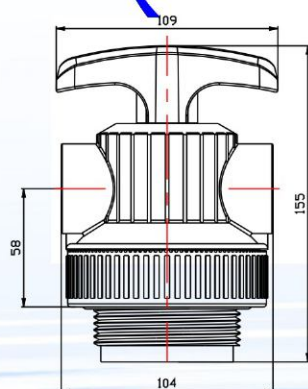
SD2-R

0.5~3t/h 软化阀
罐口(Base):2.5"-8NSPM
进出口(In & Out):3/4"
中心管(Center pipe):26.7mmOD
吸盐管(brine):3/8"



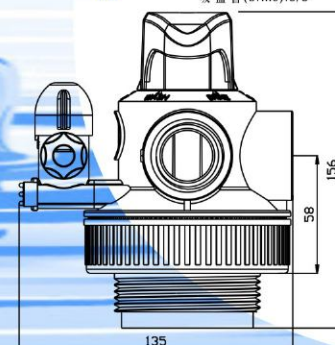
SD4

3~7t/h 过滤阀
罐口(Base):2.5"-8NSPM
进出口(In & Out):1"
中心管(Center pipe):32mmOD



SD4E

中心管(Center pipe):26.7mmOD



SD4-R

3~7t/h 软化阀
罐口(Base):2.5"-8NSPM
进出口(In & Out):1"
中心管(Center pipe):32mmOD
吸盐管(brine):3/8"

SD4E-R

中心管(Center pipe):26.7mmOD

SD10 Filter

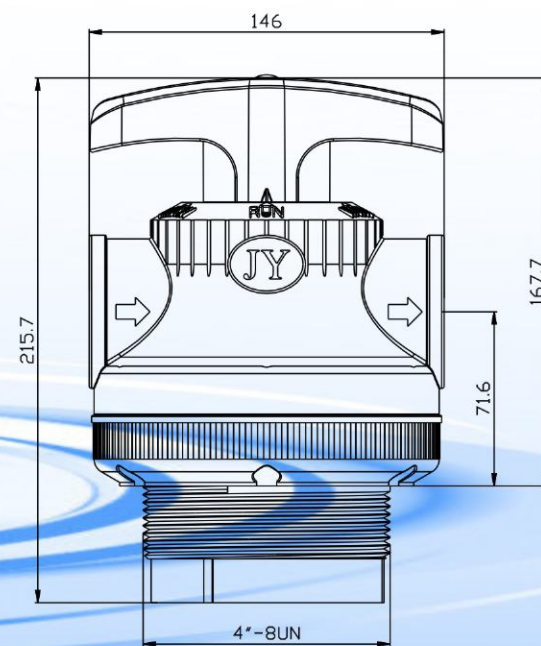
7~15t/h 过滤阀

罐口(Base):4"-8NSPM
进出口(In & Out):1.5"
中心管(Center pipe):50mmOD



SD10-R Soften

软化阀



GRDRGL-2

系列经济型控制阀

Series economy type control valve.

洁源阀®

JY®

- 1、全陶瓷阀片密封，永久寿命；
- 2、广泛的按键操作模式；
- 3、进水流量计，全流量时间双模式，停电停水记忆；
- 4、可设定延时反洗或再生功能；
- 5、多阀互锁通讯、多模式输出扩展、外控输入接口；

1. Full ceramic disc seal, permanent life;
2. Extensive keystroke operation mode;
3. Water inlet flow meter, full Flow Time dual mode, power failure, water stop memory;
4. Can be set the delayed regeneration function;
5. Multi-valve interlock communication, multi-mode output extension, external control input interface;

GR2-2
Softener valve



0.5 ~ 3t/h
罐口(Base):2.5"-8NSPM
进出口(In & Out):3/4"
中心管(Center pipe):26.7mmOD
盐阀(Brine valve):YF300

GR4-2
Softener valve



3~7t/h
罐口(Base):2.5"-8NSPM
进出口(In & Out):1"
中心管(Center pipe):32mmOD
盐阀(Brine valve):YF300

DR4-2 E:中心管(Center pipe)
26.7mmOD
GR4-2E
DR4-2E

GL2-2
Filter valve



0.5 ~ 3t/h
罐口(Base):2.5"-8NSPM
进出口(In & Out):3/4"
中心管(Center pipe):26.7mmOD

GL4-2
Filter valve



3~7t/h
罐口(Base):2.5"-8NSPM
进出口(In & Out):1"
中心管(Center pipe):32mmOD

(GL4-2E)
中心管(Center pipe):26.7mmOD

GR10-2
Softener valve



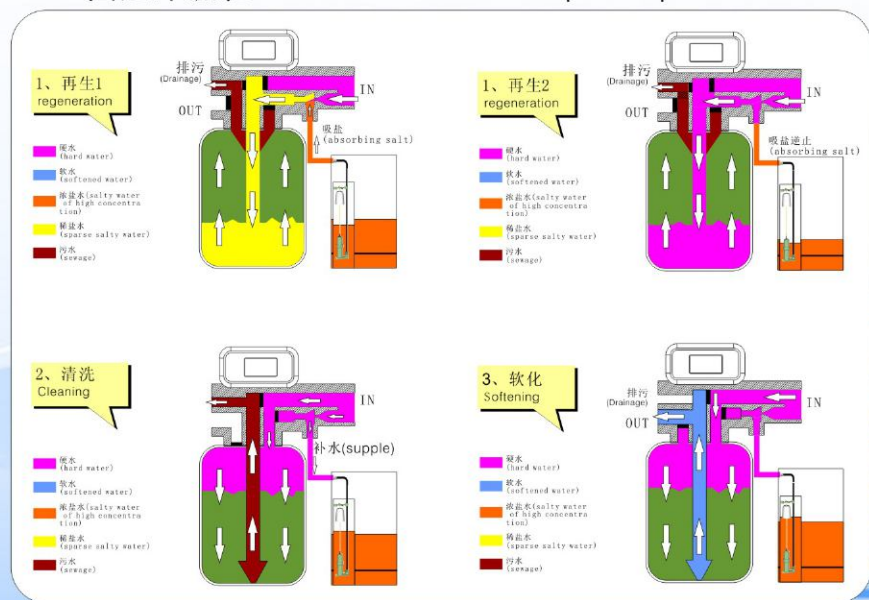
8~ 15t/h
罐口(Base):4"-8NSPM
进出口(In & Out):1.5"
中心管(Center pipe):50mmOD
吸盐管(brine):3/8"
盐阀(Brine):YF600

GL10-2
Filter valve

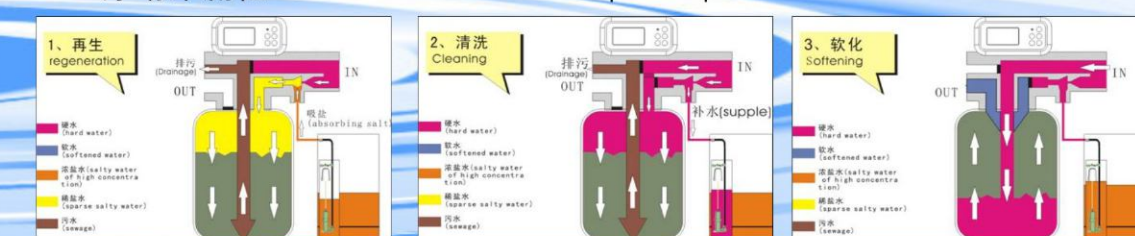


8~ 15t/h
罐口(Base):4"-8NSPM
进出口(In & Out):1.5"
中心管(Center pipe):50mmOD

GR固定床流程 fixed bed control principle



DR浮动床流程 floated bed control principle





系列过滤控制阀

Series Filter Control Valve

洁源阀®



触摸屏控制器
Touch Screen
(GL20\GL40\GL20T\GL40T)

GL系列自动过滤控制阀与相应规格的DR\GR软化阀相对应，内部外部结构相近，安装方式相同，流量时间双模式，在进水口上设置有流量计，可实现所有工位的流量控制和停水记忆。多模式继电器输出接口，有LED、LCD、触摸屏的显示操作面板，还有顶装和侧装方式，与同等规格的DR\GR软化阀配套，适应各种场合选用。

GL Series automatic Filter control valves correspond to the corresponding specifications of DR\GR Softening valves. The structure Internal and External is similar, the installation method is the same, the FLOW/TIME dual mode, In the inlet has the flow meter. Achieve all station control by FLOW and water retention memory. Multi-mode relay output interface, LED\LCD, touch screen display operation panel, and top and side loading, With the same specification of DR\GR Softening valve is suitable for various occasions.

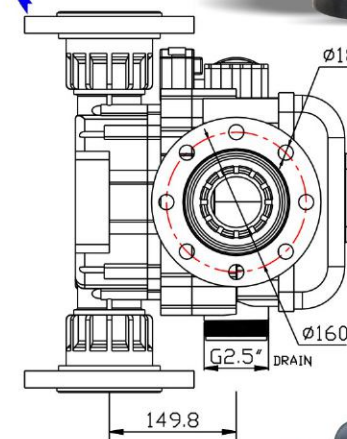
1. 平面阀芯密封，独立阀口，专设转位窜水泄压通道，陶瓷无磨损；
2. 流量时间双模式，进水流量计，实现全工位流量控制，显示瞬时水量，累计过水量，具有停电停水记忆功能；
3. 可设定时钟延时反洗；
4. 互锁通讯、外接接口、继电器输出多种模式接口。

1. Planar valve core seal, Independent valve port, ceramic without abrasion;
2. Flow time dual mode, inlet flow meter, realize full station flow control, display instantaneous Flow and Accumulative amount of water, with power outage and water retention function;
3. It can be set delay backwash;
4. Interlock communication, external control interface and relay output multiple mode interfaces



GL50

50~70t/h
进出口(In & Out):DN80
过滤罐上下接口(Pipe):DN80



GL2-1

0.5~3t/h
罐口(Base):2.5"-8NSPM
进出口(In & Out):3/4"
中心管(Center pipe):26.7mmOD

GL4-1

3~7t/h
罐口(Base):2.5"-8NSPM
进出口(In & Out):1"
中心管(Center pipe):32mmOD

GL10 (Discontinued)

8~12t/h
罐口(Base):4"-8NSPM
进出口(In & Out):1 1/2"
中心管(Center pipe):50mmOD

GL10-1

10~15t/h
罐口(Base):4"-8NSPM
进出口(In & Out):1 1/2"
中心管(Center pipe):50mmOD

GL10-1S

GL10-1的侧装形式
进出口(In & Out):1 1/2"
交换管道 (Pipe):63mmOD

10~17t/h

GL40

25~48t/h
进出口(In & Out):DN80(DN65)
过滤罐上下接口(Pipe):DN65

GL20

15~25t/h
进出口(In & Out):2"
过滤罐上下接口(Pipe):2"

GL20T

15~20t/h
罐口(Base):4"-8NSPM
进出口(In & Out):2"
中心管(Center pipe):50mmOD

GL40T

25~45t/h
罐口(Base):6"-FLANGE
进出口(In & Out):DN80(DN65)
中心管(Center pipe):90mmOD



GR2\4\10 系列固定床控制阀

Single tank fixed bed control valve

洁源阀® JY®

- 1、逆流再生固定床控制;
- 2、进水流量计, 全流量时间双模式, 停电停水记忆;
- 3、可设定延时再生功能;
- 4、多阀互锁通讯、多模式输出扩展、外控输入接口;
- 5、标配盐阀, 吸盐补水方式独特, 补水不占时间。

1. Control principle is fixed bed, Countercurrent regeneration;
2. Water inlet flow meter, full Flow Time dual mode, power failure、water stop memory;
3. Can be set the delayed regeneration function;
4. Multi-valve interlock communication, multi-mode output extension, external control input interface;
5. Standard brine valve, salt water absorption is unique, water supply does not occupy the time.

Parameters Setting(reference)

Parameters	Brine (l)	C1=Resin filling volume (L) x 250%
	Clean (l)	C2=Resin filling volume (L) x 100%
	Soft (t)	C3=[resin filling volume (L) x 90%] ÷ Raw water hardness (mmol/L)

GR2-1



0.5 ~ 3t/h
罐口(Base):2.5"-8NSPM
进出口(In & Out):¾"
中心管(Center pipe):26.7mmOD
盐阀(Brine valve):YF300

GR4-1



3~7t/h
罐口(Base):2.5"-8NSPM
进出口(In & Out):1"
中心管(Center pipe):32mmOD
盐阀(Brine valve):YF300

GR10-1

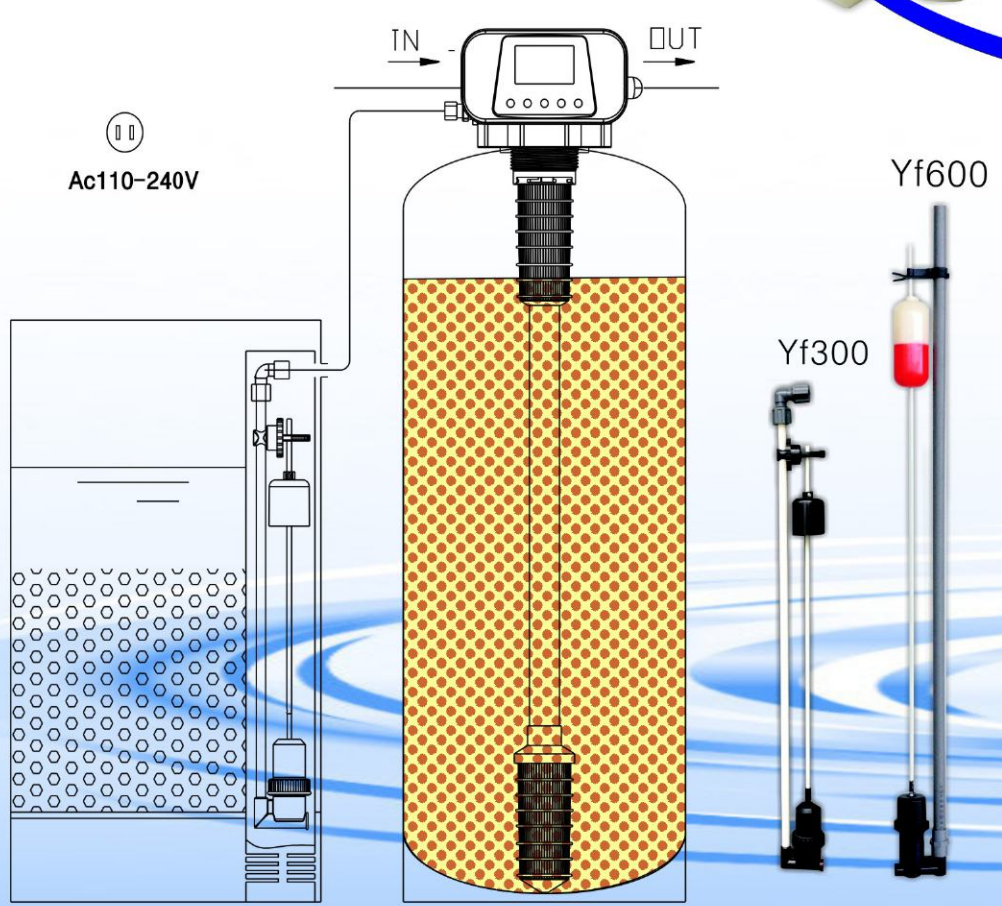


10~15t/h
罐口(Base):4"-8NSPM
进出口(In & Out):1½"
中心管(Center pipe):50mmOD
盐阀(Brine valve):YF600

GR10 (Discontinued)

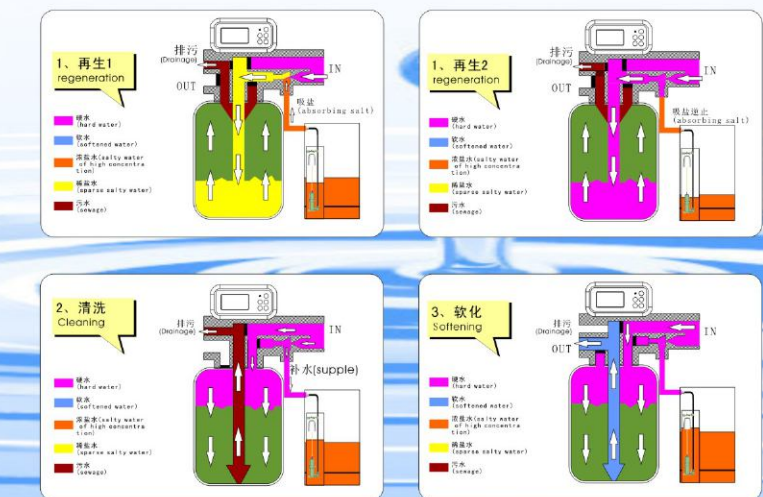


8~12t/h
罐口(Base):4"-8NSPM
进出口(In & Out):1½"
中心管(Center pipe):50mmOD
盐阀(Brine valve):YF600



参数设定 (参考)

再生(升)**	C1=树脂填量(升)×250%
清洗(升)	C2=树脂填量(升)×100%
软化(吨)	C3=(树脂填量(升)×90%)÷原水硬度(mmol/L)



GR10-1S



10~17t/h
DR10-1的侧装形式
进出口(In & Out):1½"
交换管道(Pipe):63mmOD
盐阀(Brine valve):YF600

GR20\40\50

系列固定床控制阀 Single tank fixed bed control valve

洁源阀®

JY®

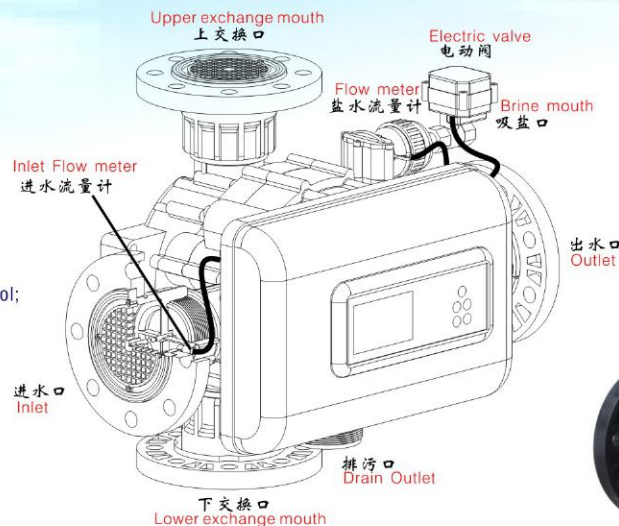
概述

GR204050控制阀包括顶装GR20T、GR40T，以侧装推广为主，该系列阀在盐水路设置了盐水流量计和电动阀，精确控制吸盐和补水，还设置485接口，适应于20t/h以上系列的软水器。

The Control valve of GR 204050 includes GR20T&GR40T. Based on side loading Type, The valves set up brine Flow meters and Electric valves. precise control of the absorption of brine and refilling water. It also set 485 interface. It is suitable for more than 20t/h series of softeners.

- 1、固定床逆流再生控制;
- 2、流量时间双模式;
- 3、进水流量计、盐水流量计和盐水电动阀;
- 4、可设定的延时再生功能;
- 5、多台互锁通讯、多模式输出控制;
- 6、可扩展485接口。

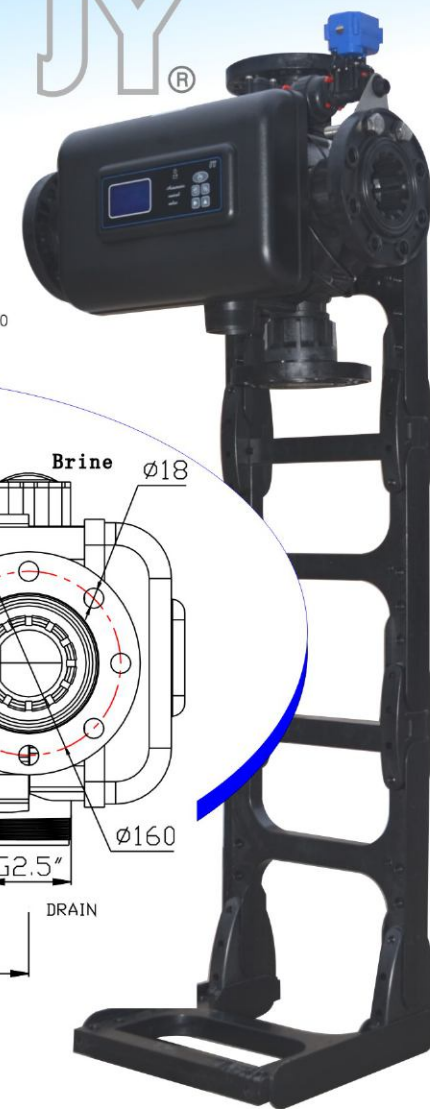
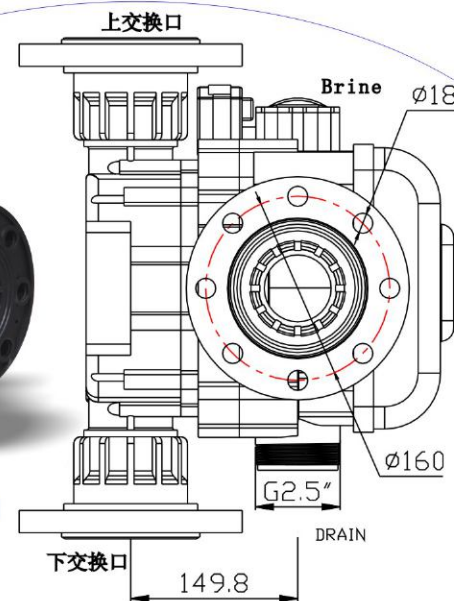
1. Fixed bed counter-current regeneration control;
2. Dual mode of flow time;
3. Inlet flow meter, brine flow meter and brine electric valve;
4. Adjustable delay regeneration function;
5. Multiple interlocking communication and multi-mode output control;
6. Extensible 485 interface.



50~70t/h

进出口(In & Out):DN80
交换罐上下接口(Pipe):DN80
吸盐口(Brine):3/4"

GR50



15~25t/h

进出口(In & Out):2"
交换罐上下接口(Pipe):2"
吸盐管(Brine):16mmOD



15~20t/h

罐口(Base):4"-8NSPM
进出口(In & Out):2"
中心管(Center pipe):50mmOD
吸盐管(Brine):16mmOD
排污管(Drain):2"



25~48t/h

进出口(In & Out):DN80(DN65)
交换罐上下接口(Pipe):DN65
吸盐管(Brine):16mmOD

GR40



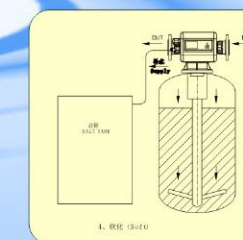
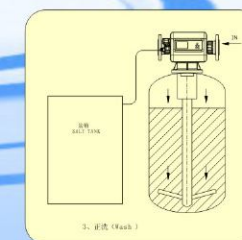
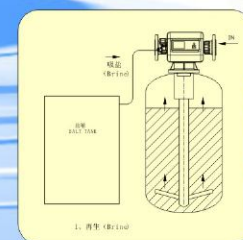
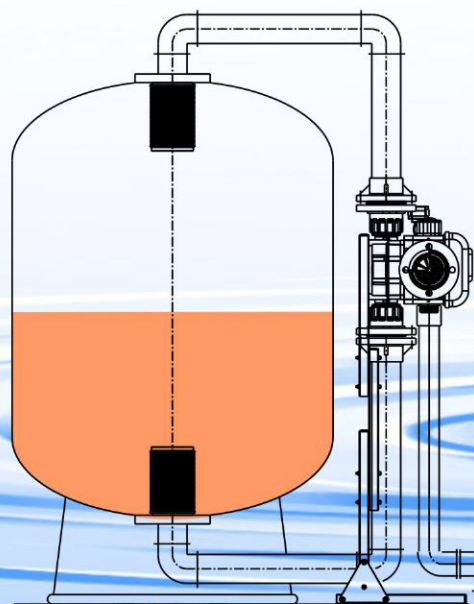
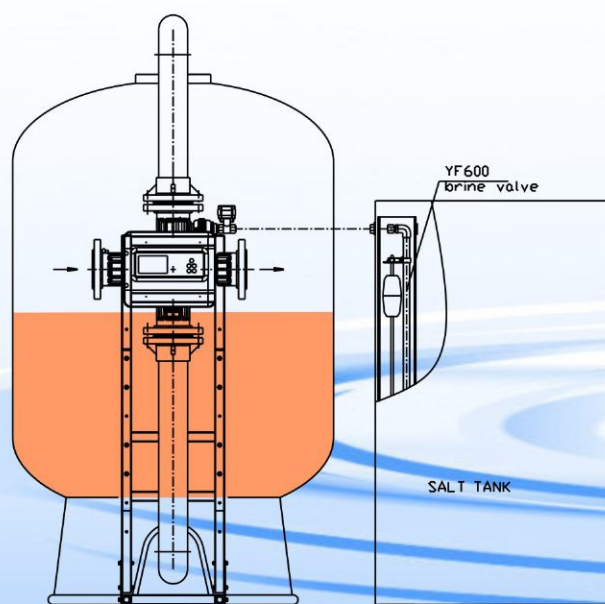
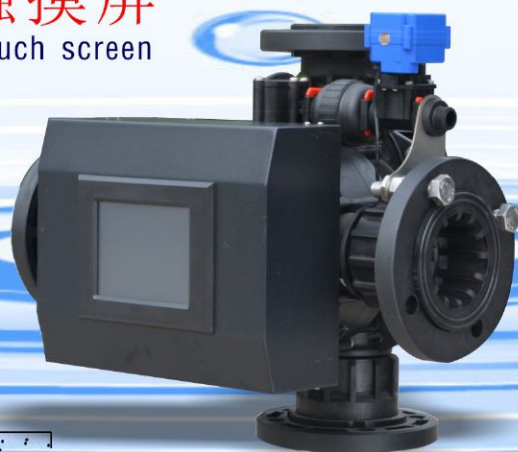
25~45t/h

罐口(Base):6"-FLANGE
进出口(In & Out):DN80(DN65)
中心管(Center pipe):90mmOD
吸盐管(Brine):16mmOD

参数设定(参考)parameter setting(refference)

推荐流量模式参数设定	盐水量(L)	30%×树脂装填量(升)
Regeneration	慢洗(L)	Loading quantity of resin (l) * 30%
Recommended flow pattern parameters setting	正洗(L)	Loading quantity of resin (l) * 50%
	Wash	Loading quantity of resin (l) * 100%
软化(T)	[树脂装填量(升)×90%]+原水硬度 (mmol/L)	
Softening	[resin filling volume (L) x 90%]+raw water hardness (mmol/L)	

触摸屏 Touch screen



DR 2\4\10 系列单罐浮床控制阀

Single tank floated bed control valve



概述

浮床控制阀流速高，罐体直径宜细宜高，可适应于高硬水，但树脂装填率90%以上，要求使用场合流速稳定，且原水浊度不大。

Describe

The floating bed control valve has a high flow rate, the swap tank can be small and high, suitable for high hardness water, but the resin filling rate is more than 90%. Use occasions flow velocity should be stable, and the original water turbidity is not big.

DR2-1

0.5 ~ 3t/h
 罐口(Base):2.5"-8NSPM
 进出口(In & Out):3/4"
 中心管(Center pipe):26.7mmOD
 盐阀(Brine valve):YF300

DR4-1

3~7t/h
 罐口(Base):2.5"-8NSPM
 进出口(In & Out):1"
 中心管(Center pipe):32mmOD
 盐阀(Brine valve):YF300

DR10 (Discontinued)

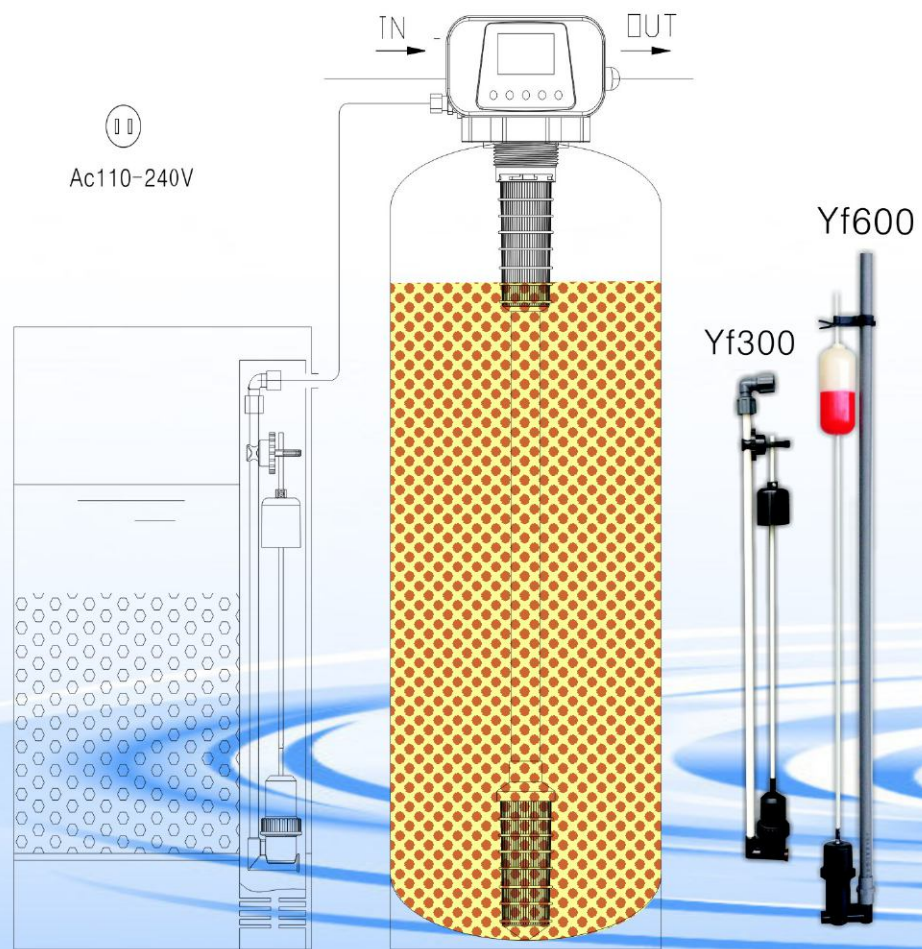
8~12t/h
 罐口(Base):4"-8NSPM
 进出口(In & Out):1 1/2"
 中心管(Center pipe):50mmOD
 盐阀(Brine valve):YF600

DR10-1

10~15t/h
 罐口(Base):4"-8NSPM
 进出口(In & Out):1 1/2"
 中心管(Center pipe):50mmOD
 盐阀(Brine valve):YF600

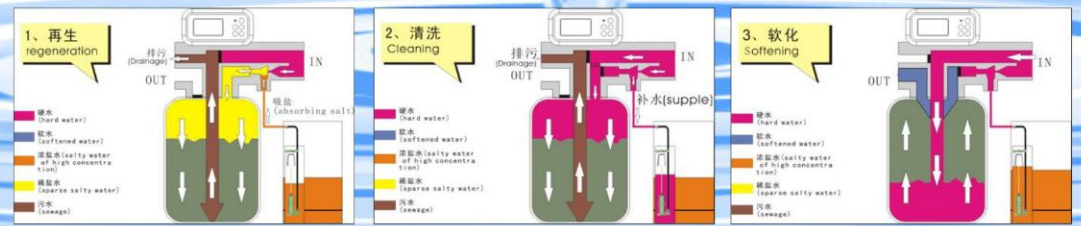
DR10-1S

10~17t/h
 DR10-1的侧装形式
 进出口(In & Out):1 1/2"
 交换管道(Pipe):63mmOD
 盐阀(Brine valve):YF600



- 1、浮动床控制原理;
- 2、进水流量计，全流量时间双模式，停电、停水记忆;
- 3、可设定延时再生功能;
- 4、多阀互锁通讯、多模式输出扩展、外控输入接口;
- 5、标配盐阀，吸盐补水方式独特，补水不占时间。

1. Control principle is floating bed;
2. Water inlet flow meter, full Flow Time dual mode, power failure, water stop memory;
3. Can be set the delayed regeneration function;
4. Multi-valve interlock communication, multi-mode output extension, external control input interface;
5. Standard brine valve, salt water absorption is unique, water supply does not occupy the time.



DR20\40\50 系列浮动床控制阀

Single tank floated bed control valve

洁源阀® JY®

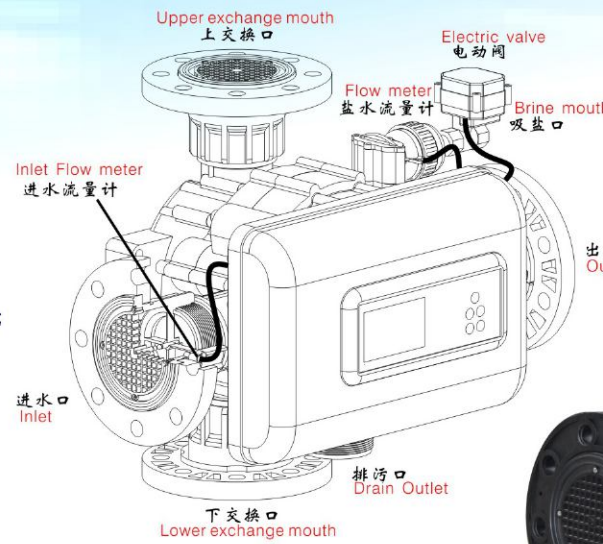
概述

DR204050控制阀包括顶装DR20T、DR40T，以侧装推广为主，该系列阀在盐水路设置了盐水流量计和电动阀，精确控制吸盐和补水，还设置485接口，适应于20t/h以上系列的软水器。

The Control valve of DR 204050 includes DR20T&DR40T. Based on side loading Type. The valves set up brine flow meters and electric valves, precise control of the absorption of brine and refilling water, It also set 485 interface. It is suitable for above 20t/h series of softeners.

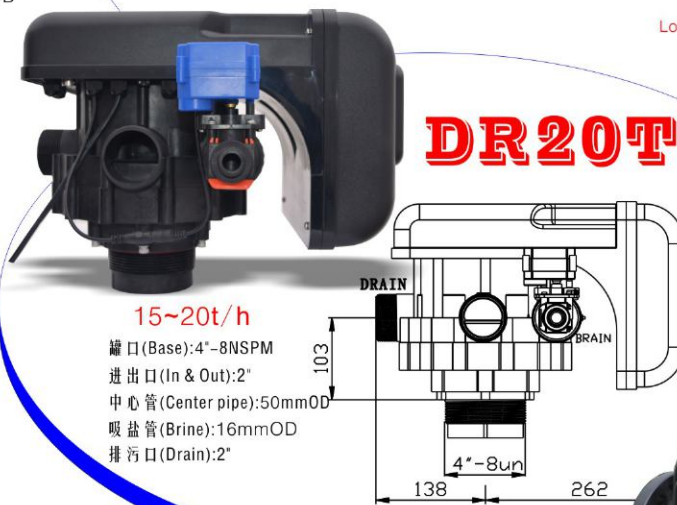
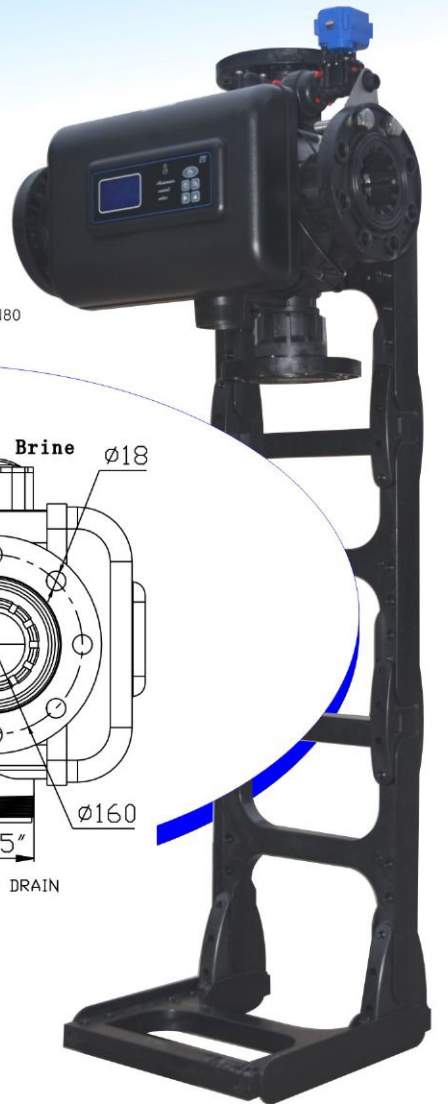
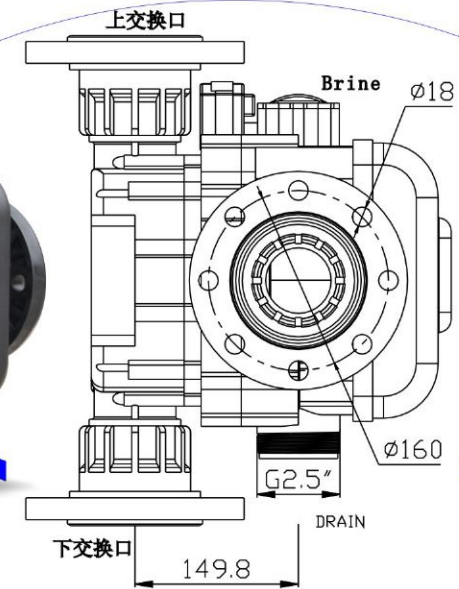
- 1、浮动床运行原理;
- 2、流量时间双模式;
- 3、进水流量计、盐水流量计和盐水电动阀;
- 4、可设定的延时再生功能;
- 5、多台互锁通讯、多模式输出控制;
- 6、可扩展485接口。

1. Floated bed counter-current regeneration control;
2. Dual mode of flow time;
3. Inlet flow meter, brine flow meter and brine electric valve;
4. Adjustable delay regeneration function;
5. Multiple interlocking communication and multi-mode output control;
6. Extensible 485 interface.



DR50

50~70t/h
进出口(In & Out):DN80
交换罐上下接口(Pipe):DN80
吸盐口(Brine):3/4"

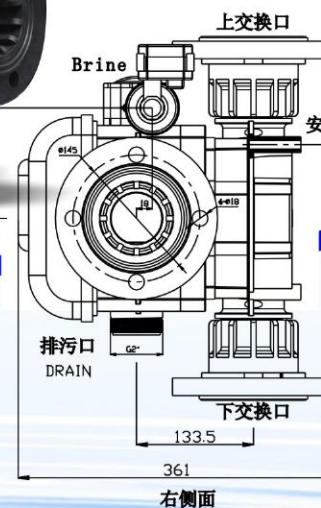


参数设定(参考)Parameter setting(refference)

推荐流量模式参数设定	盐水量(L)	20%×树脂装填量(升)
Regeneration	Regeneration	Loading quantity of resin (l) * 20%
慢洗(L)	Slow wash	50%×树脂装填量(升)
Recommended flow pattern parameters setting	Wash	Loading quantity of resin (l) * 50%
正洗(L)	Wash	50%×树脂装填量(升)
Softening	Softening	[树脂装填量(升)×70%]-原水硬度 (mmol/L)
		[resin filling volume (L) x 70%] - raw water hardness (mmol/L)

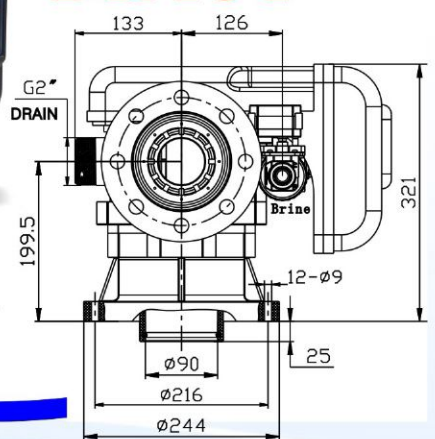
DR40

25~48t/h
进出口(In & Out):DN80(DN65)*
交换罐上下接口(Pipe):DN65
吸盐管(Brine):16mmOD



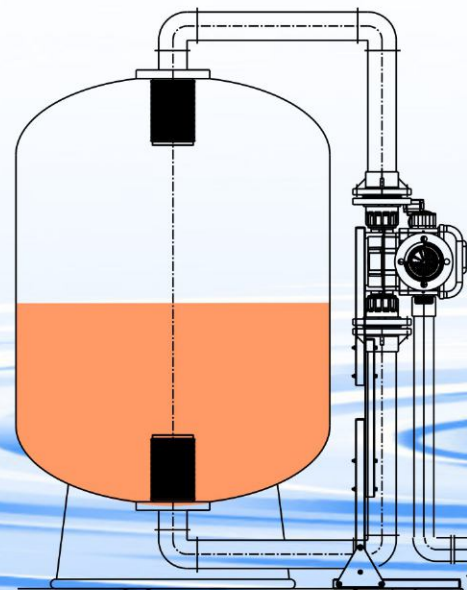
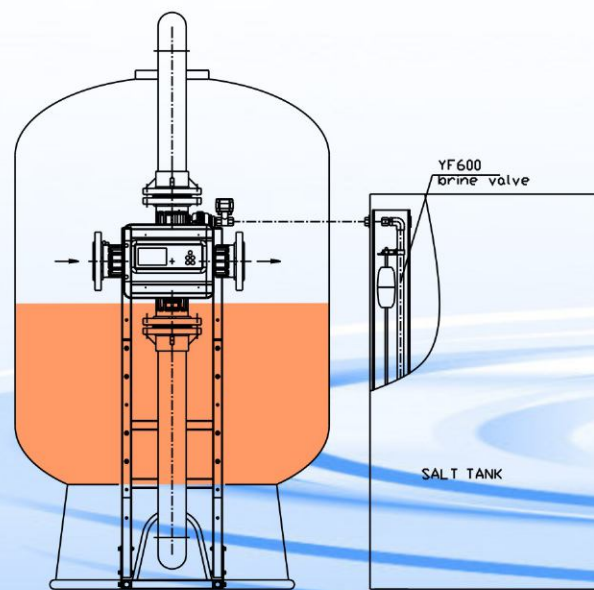
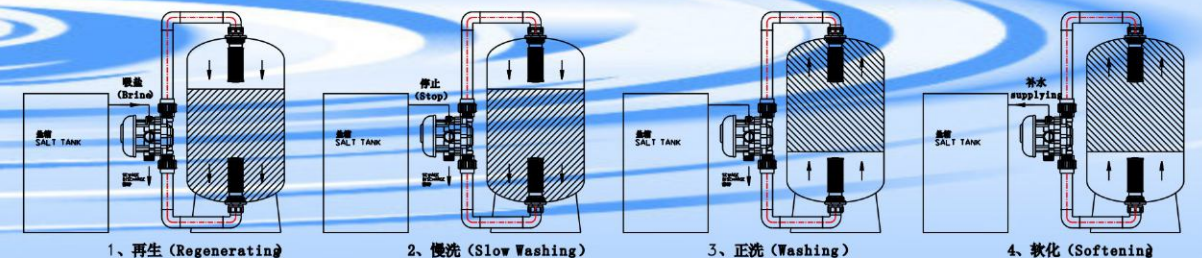
DR40T

25~45t/h
罐口(Base):6"-FLANGE
进出口(In & Out):DN80(DN65)
中心管(Center pipe):90mmOD
吸盐管(Brine):16mmOD



触摸屏

Touch screen

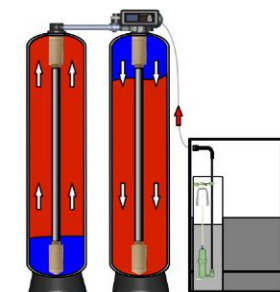


ZR 系列双罐浮床控制阀

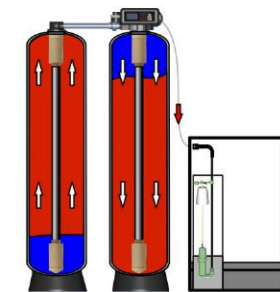
Double tank floated bed control valve

洁源润®

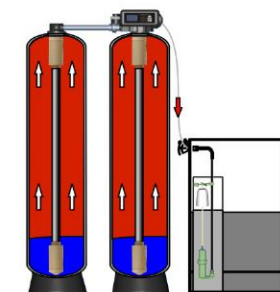
JY®



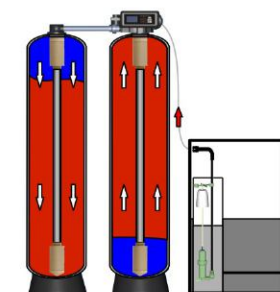
1. L: soft R; regen



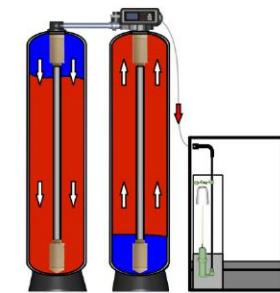
2. L: soft R; wash



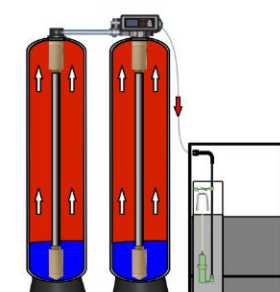
3. L: soft R; soft



4. L: regen R; soft



5. L: wash R; soft



6. L: soft R; soft

高硬水软化

概述

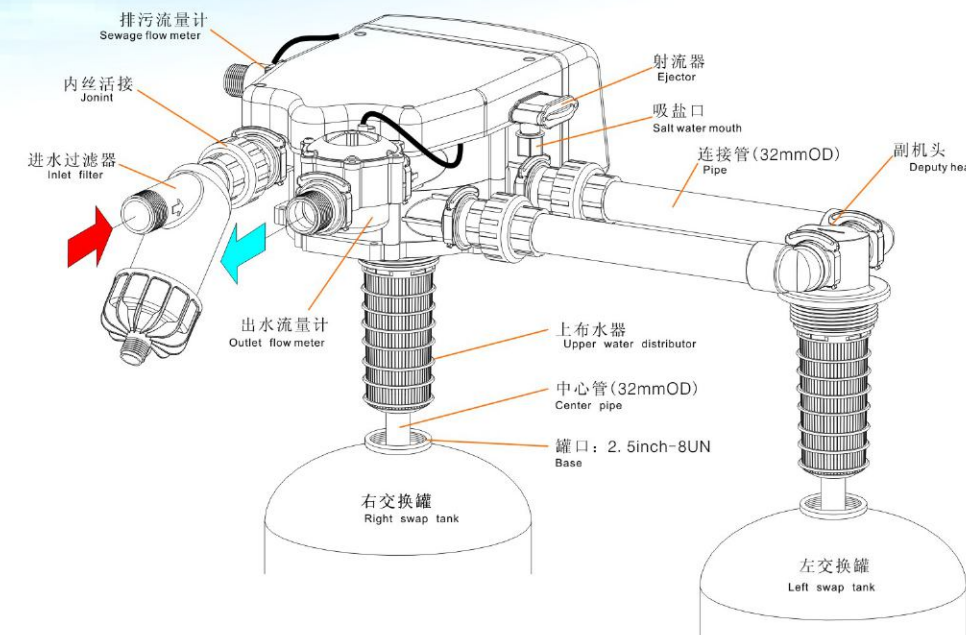
ZR系列一阀双罐控制阀适用于中小软水器，同时产水，分别再生，特别是一罐清洗用另一个罐自产软化水，水质好在长期使用中得到验证，外置出水口流量计，排污口流量计，所有工位参数按量设定。工作压力恒定，与RF系列相同，适用于高硬水软化，如蒸汽锅炉、供热工程等专业软化场合使用。

High degree of hardness water softening describe

ZR series one valve double tank control valve adapts to small and medium softener, It produces water at the same time and Regeneration respectively, Especially one tank can use soft water of another tank, the water quality is good. It is verified in the long-term use, External outlet Flow meter and drain flow meter, All parameter settings by volume of water working Pressure stable, same as RF series, adapted to high hard-ness water softening, such as steam boiler, heating engineering and other professional softening use.

推荐设定参数 Setting parameter(reference)

流量模式参数	软化(吨)	【单罐树脂填量(升)×50%】÷原水硬度(mmol/L)
设定	Soft (ton)	[The amount of one tank resin filling(L) × 50%] ÷ raw water hardness (mmol/L)
再生(升)* Regeneration (L)		单罐树脂填量(升)
清洗(升)**wash(L)		The amount of one tank resin filling(L)



ZR4-1

3~7t/h

罐口(Base):2.5"-8NSPM
进出口(In & Out):1"
中心管(Center pipe):32mmOD
吸盐口(Brine):3/8"
排污口(drain):1/2"



ZR4-1S

3~7t/h

进出口(In & Out):1"
交换管道(pipe):32mmOD
吸盐口(Brine):3/8"
排污口(drain):1/2"



ZR10

8~15t/h

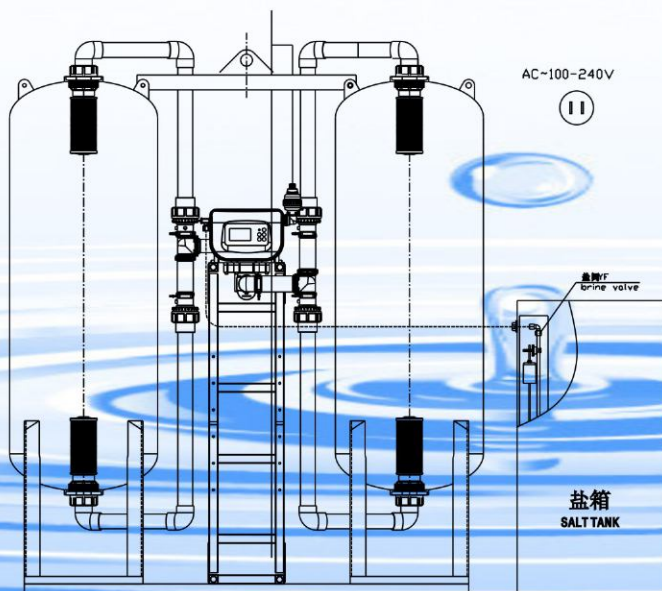
罐口(Base):4"-8NSPM
进出口(In & Out):1.5"
中心管(Center pipe):50mmOD
吸盐口(Brine):3/8"
排污口(drain):3/4"



ZR10-S

8~15t/h

进出口(In & Out):1.5"
交换管道(pipe):50mmOD
吸盐口(Brine):3/8"
排污口(drain):3/4"



RF 系列双罐浮床控制阀

Double tank floated bed control valve

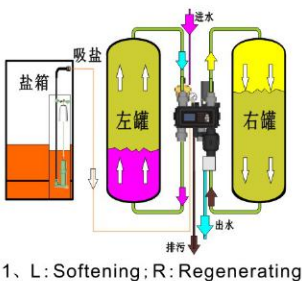
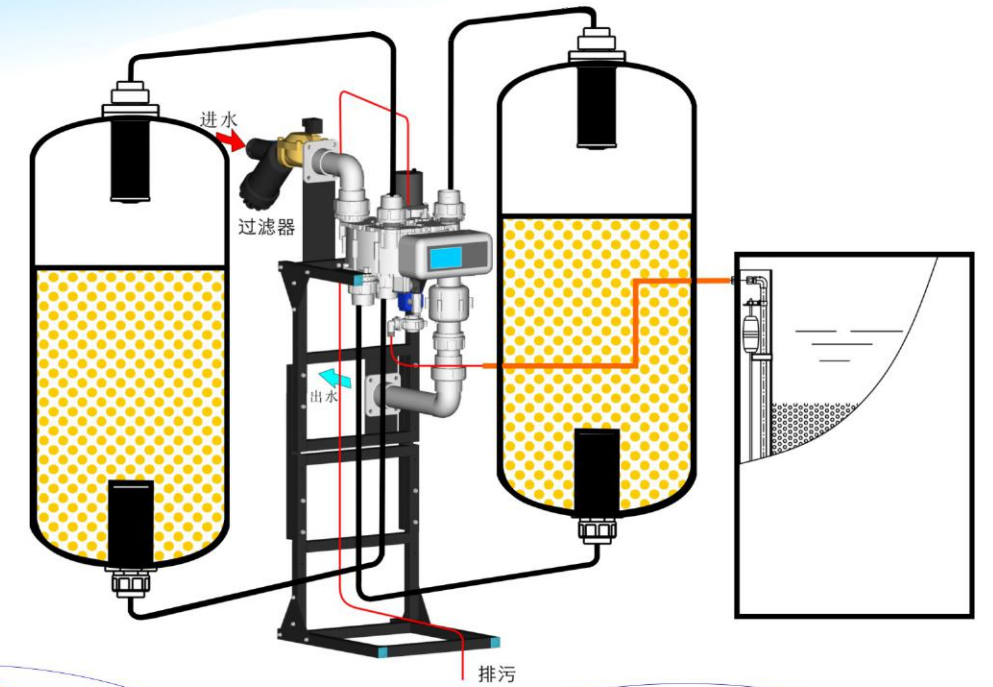
高硬水软化

概述

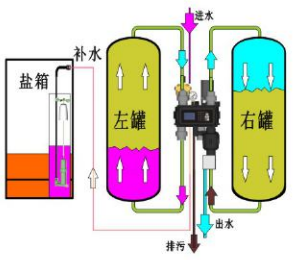
RF系列一阀双罐控制阀，双罐浮床同时产水分别再生，适应中大型软水器，特别是一罐清洗用另一个罐自产软化水，水质效果在长期使用中得到验证，外置出水口流量计，盐水流量计和盐水电磁阀，再生和产水均按流量控制，阀体工作压力恒定，与ZR系列相同适用于高硬水软化和严格控制软化指标如蒸汽锅炉、供热工程等专业软化场合使用。

High degree of hardness water softening describe

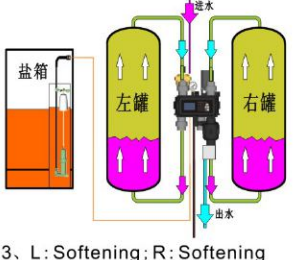
RF series one valve dual tank control valve, dual tank floating bed simultaneously soften alternately regeneration, Adapt to medium & large water softener, especially one tank of washing use soft water of another tank, The effect of water quality is verified in the long-term use, and the external soften water flow meter, Brine Flow meter and brine electric valve, Regeneration and soften are controlled by FIOW, working pressure is constant, same as the ZR series is suitable for high hardness water softening and strict softening. Indicators such as steam boiler, heating engineering and all professional softening use.



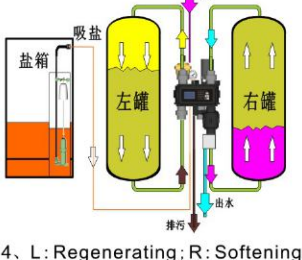
1、L: Softening; R: Regenerating



2、L: Softening; R: Washing



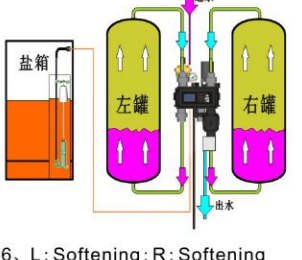
3、L: Softening; R: Softening



4、L: Regenerating; R: Softening



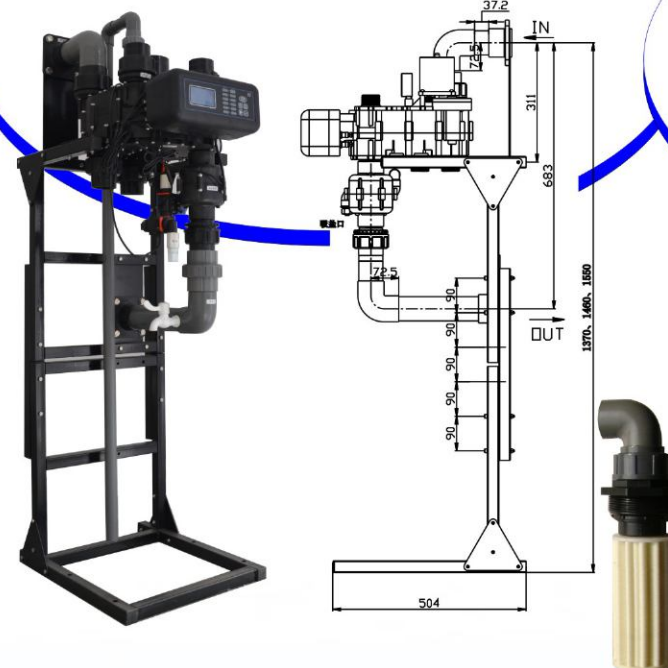
5、L: Washing; R: Softening



6、L: Softening; R: Softening

RF20

15~25t/h
进出水: 2"
交换管道 (Pipe): 50mmOD
排污管 (DRAIN): 1"
吸盐管 (Brine): 12.7mmOD



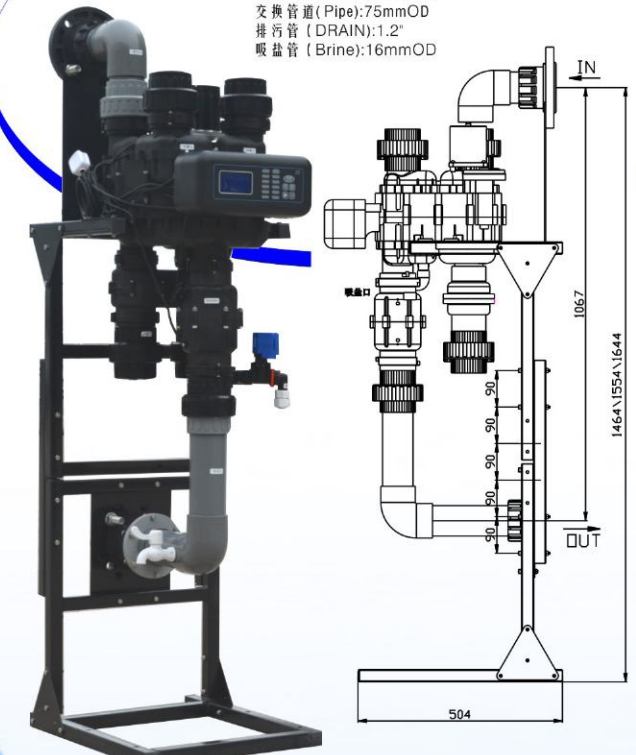
RF20-GUI

15~25t/h
进出水: 2"
交换管道 (Pipe): 50mmOD
排污管 (DRAIN): 1"
吸盐管 (Brine): 12.7mmOD



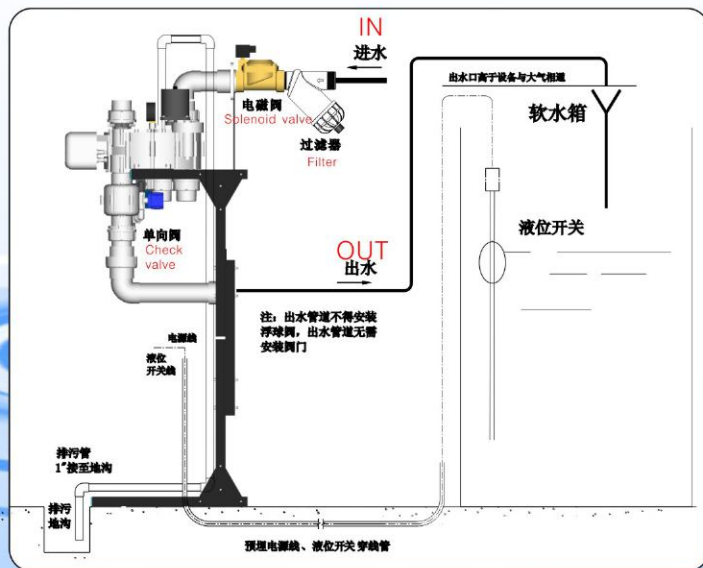
RF50

30~55t/h
进出水 (IN&OUT): 3"(2.5")
交换管道 (Pipe): 75mmOD
排污管 (DRAIN): 1.2"
吸盐管 (Brine): 16mmOD



RF50-GUI

30~55t/h
进出水 (IN&OUT): 3"(2.5")
交换管道 (Pipe): 75mmOD
排污管 (DRAIN): 1.2"
吸盐管 (Brine): 16mmOD



推荐设定参数 Setting parameter(reference)

流量模式参数 设定 Set (Flow model)	软化(吨) Soft (ton)	$[\text{单罐树脂填量 (升)} \times 50\%] \div \text{原水硬度 (mmol/L)}$ [The amount of one tank resin filling(L) \times 50%] \div raw water hardness(mmol/L)
	再生(升)Regeneration (L)	单罐树脂填量 (升) \times 20% The amount of one tank resin filling(L) \times 20%
	清洗(升)wash(L)	分钟 (参考再生所用时间, 以清洗结束前排污水口无味为准) Minutes(Refer to the time used for regeneration)



3P 系列多阀联控

Series multi-valve joint control

新概念 新系列 - New Concept New Series

3P系列多阀联控是由一个控制器控制多个阀体，可根据使用场合选择设定控制1个、2个或3个阀体，控制器与阀体分离，可装在中央控制柜面板上，各阀体所控制的工艺参数单独设定，设置继电器输入输出接口，有内控和外控模式可选，内控是由各阀内部设定的参数进行反洗或再生，外控是完全由来自外部的信号来控制各阀依次进行反洗或再生操作，可广泛应用于前置预处理或独立净化软化联合系统。

3P series multi-valve control is controlled by one controller and can be choose to control one, two or three Valve body, the controller is separated from valve body, can be installed in the central control cabinet panel, Each valve can be set itself parameters, The controller have input and output relay interface, It have internal control (IC) and external control (EC) mode. The internal control is backwash or regenerated by the parameters set each Valve itself. External control is completely controlled by external signals to control valves to backwash or regenerative, can be widely used in pretreatment system or Independent purification and softening combined system.

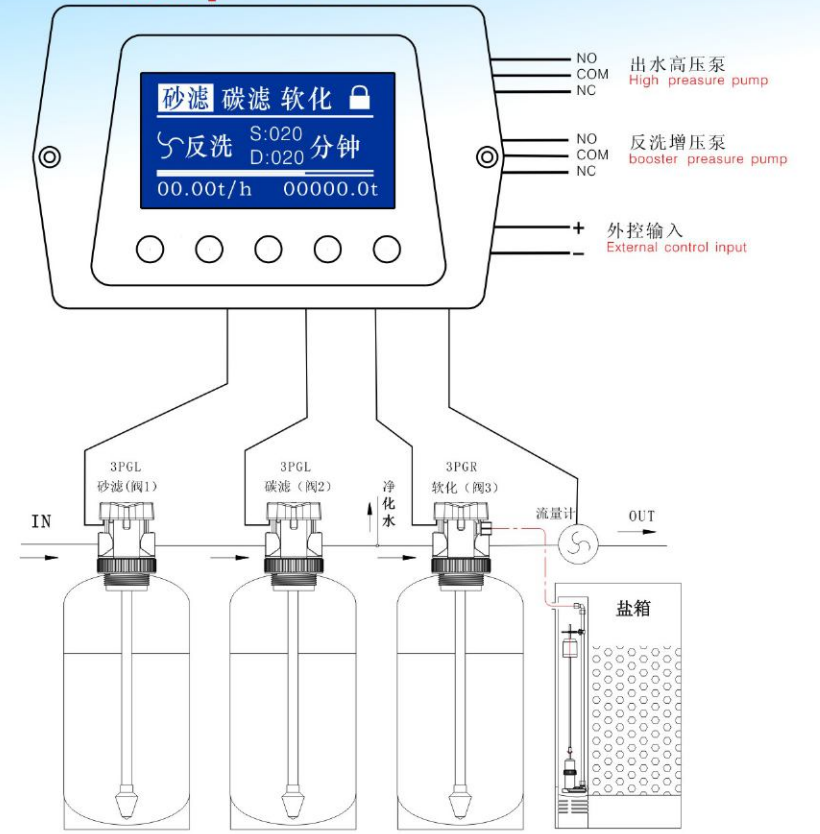
洁源阀® JY®

3P控制器 3P-Controller



3PKZQ-2 3PKZQ-4
3PKZQ-10

3Pkzq 控制器 Controller

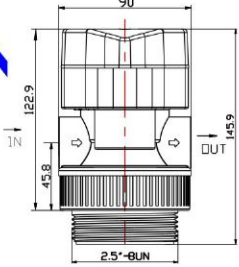


常用一阀三控原理图

3P2GL

0.5~3.5t/h 过滤阀 Filter valve

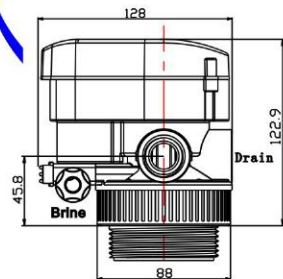
罐口(Base):2.5"-8NSPM
进出口(In & Out):3/4"
中心管(Center pipe):26.7mmOD



3P2GR

0.5~3.5t/h 软化阀 Soften valve

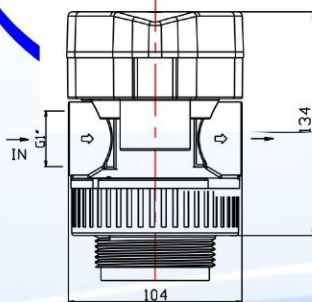
罐口(Base):2.5"-8NSPM
进出口(In & Out):3/4"
中心管(Center pipe):26.7mmOD
吸盐管(brine):3/8"



3P4GL

3~7t/h 过滤阀 Filter valve

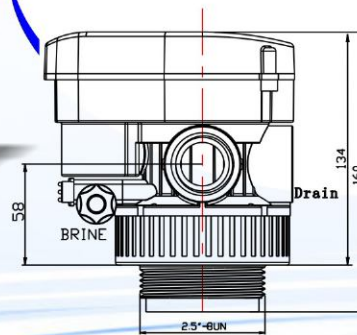
罐口(Base):2.5"-8NSPM
进出口(In & Out):1"
中心管(Center pipe):32mmOD



3P4GR

3~7t/h 软化阀 Soften valve

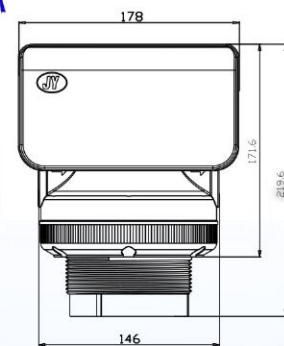
罐口(Base):2.5"-8NSPM
进出口(In & Out):1"
中心管(Center pipe):32mmOD
吸盐管(brine):3/8"



3P10GL

8~15t/h 过滤阀 Filter valve

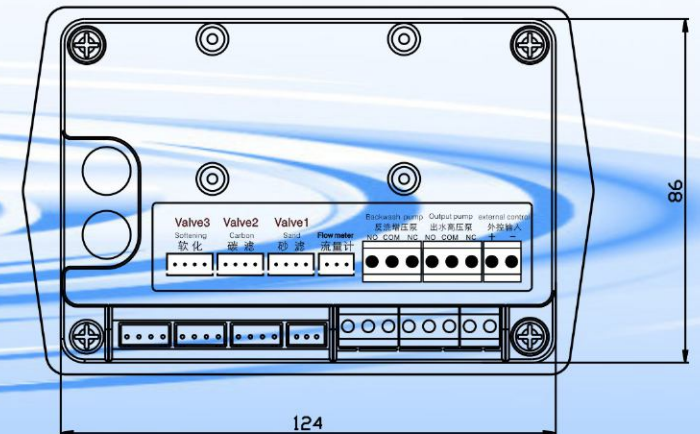
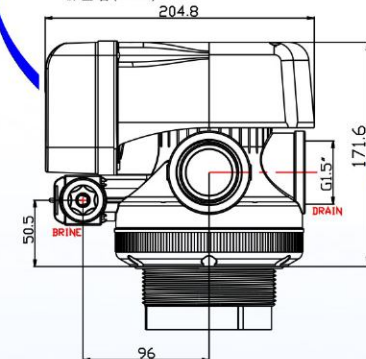
罐口(Base):4"-8NSPM
进出口(In & Out):1.5"
中心管(Center pipe):50mmOD



3P10GR

8~15t/h 软化阀 Soften valve

罐口(Base):4"-8NSPM
进出口(In & Out):1.5"
中心管(Center pipe):50mmOD
吸盐管(brine):3/8"



DDF 直流自闭电动阀

Dc self-closing electric valve

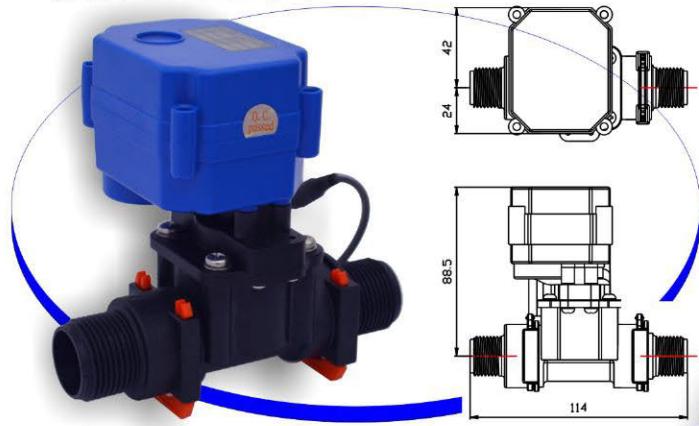


该电动阀是为洁源阀盐水路设计制作，采用平面陶瓷阀片密封，DC12V直流执行器，通电打开，断电自行关闭，转矩小耐腐蚀，抗结晶。

The electric valve is designed for the brine road of the JIEYUAN valve and adopts the planar ceramic valve plate Seal, DC12V actuator, Small torque, electricity open, power off and turn off. Corrosion resistant, resistant to crystallization.

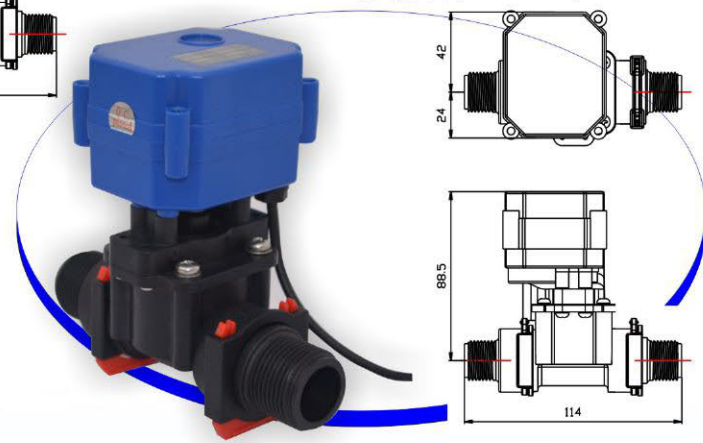
DDF-15

进出口(In & Out):1/2"



DDF-20

进出口(In & Out):3/4"



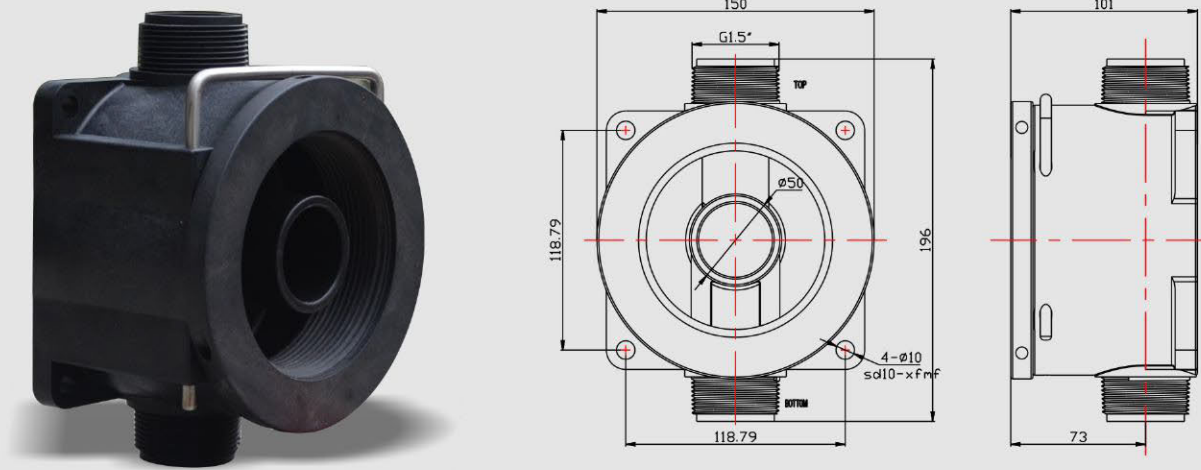
侧装接头 Lateral Conversion attachment

2.5"-3/4"

2.5"-1"



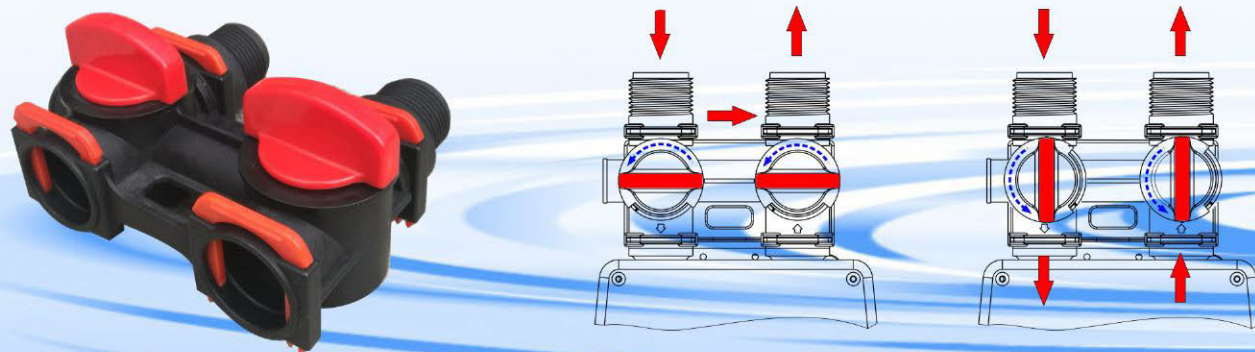
4"-1.5"



旁通阀 Bypass-valve

G3/4"旁通阀适用于DR2-1\GR2-1\GL2-1; G1"旁通阀适用于DR4-1\GR4-1\GL4-1

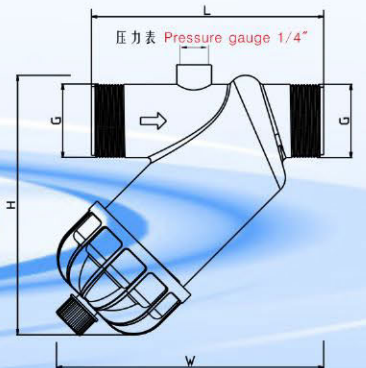
G3/4" bypass valve for DR2-1/GR2-1/GL2-1; G1" bypass valve for DR4-1/GR4-1/GL4-1



Y型过滤器 Y type Pipeline filter



型号 Model	GLQ-20	GLQ-25	GLQ-40	GLQ-50	GLQ-65	GLQ-80
进出口径 In & out size	G¾"	G1"	G1½"	G2"	法兰 flange	法兰 flange
过滤精度 Filtration precision	80目 mesh					
L	143	143	189	189	343	343
W	157	157	210	210	343	343
H	146	146	210	210	346	346



Snowate



Ms Snow Zhao
snow@snowate.com
snow@membranehousing.org
Mobile: +86-15030811699
(WhatsApp, WeChat, Skype, Viber)